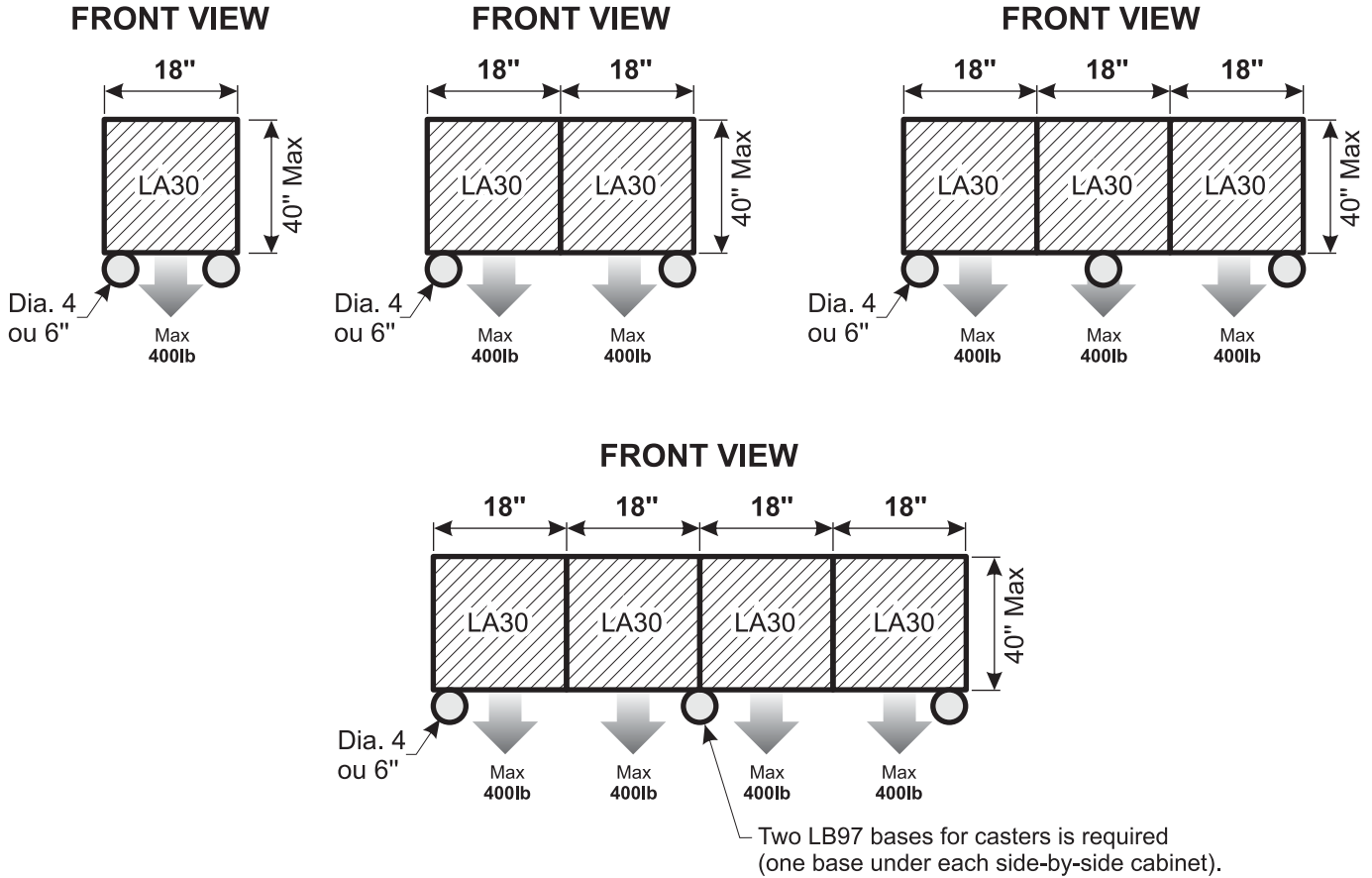


Make sure that you have the latest version before using this document.

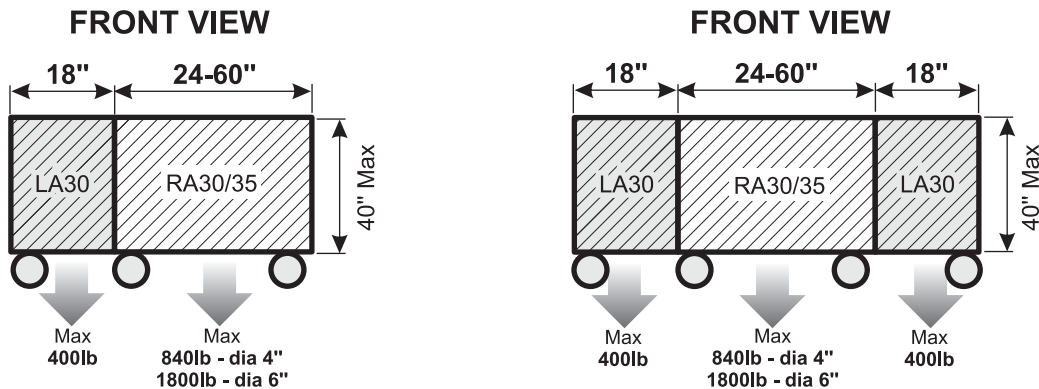
### Configurations and capacities - L Line Mobile side-by-side cabinets

IMPORTANT :With or without worksurface WS08/14/16/17, RC35/36/37 (4 screws per cabinet).



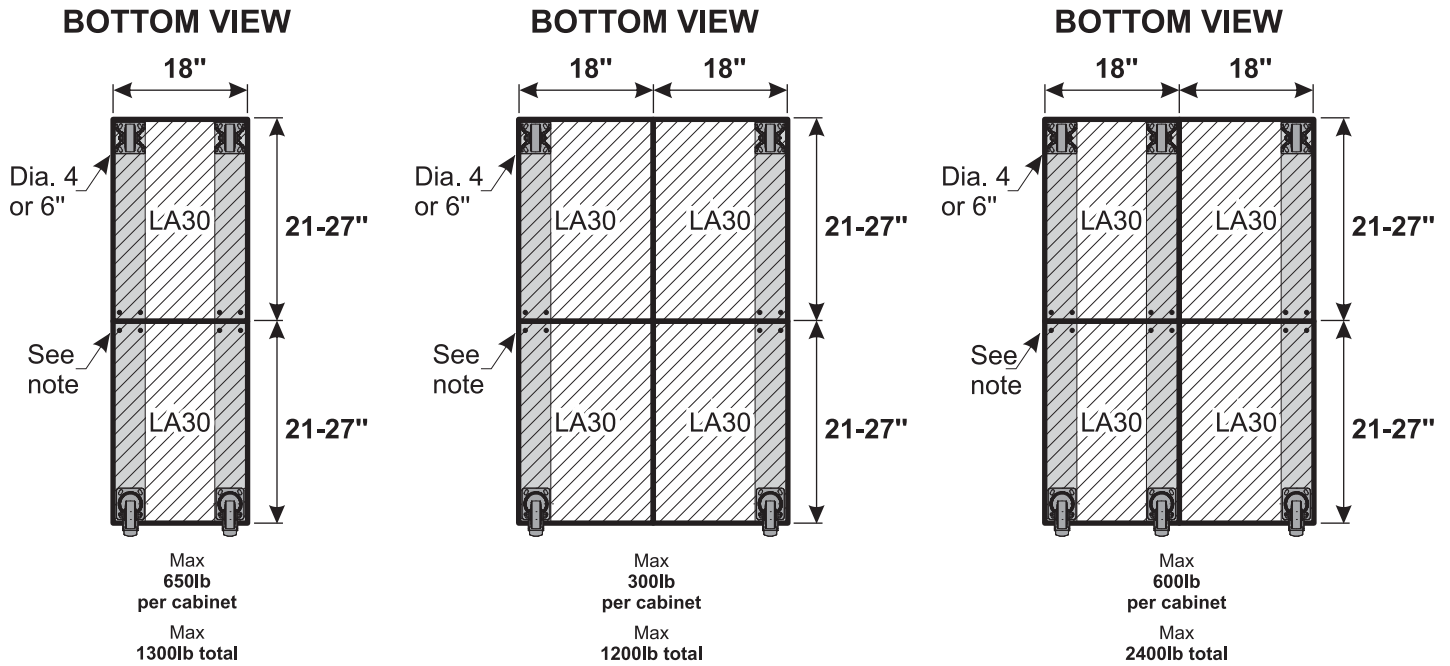
### Configurations and capacities - L & R Line Mobile side-by-side cabinets

IMPORTANT :With or without worksurface WS08/14/16/17, RC35/36/37 (4 screws per cabinet).



## Configurations and capacities - L Line Mobile side-by-side & back-to-back cabinets

IMPORTANT :With or without worksurface WS08/14/16/17, RC35/36/37 (4 screws per cabinet).



Attention : For each LB97 Base used with only one caster (instead of two), you must order LB98-01 hardware kit to install the other side of the base on the cabinet without caster.